



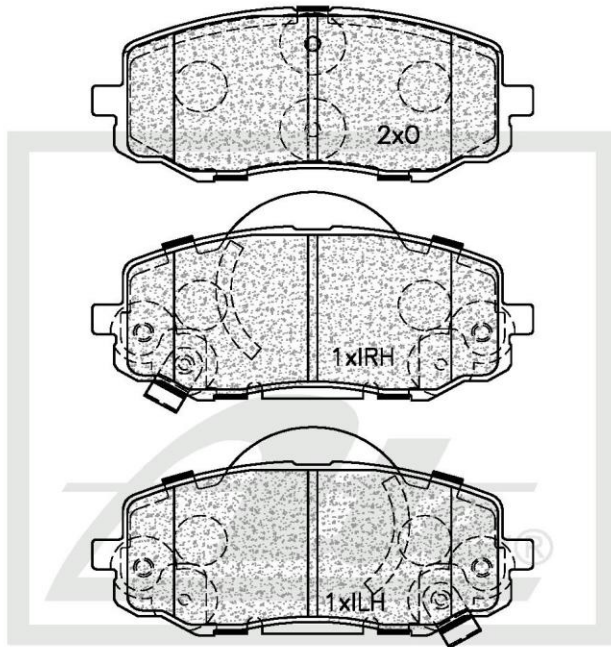
TECHNICAL BULLETIN
17 July 2019

ATE1335

(ATE and Teves are registered trademarks of Continental Teves AG & Co oHG and/or its affiliates in Frankfurt Germany and other Countries)

NEW PART NUMBER UPDATE

Drawing



SUPPLIED WITH 2 X WEAR INDICATOR PADS PER SET
NOTE : L + R HANDED



Details of New Part

Brake Pad - FRONT

Brake Pad Sizes:

Length - 116.2mm

Height - 48.9mm

Thickness - 17.0mm

Box Dimensions

Weight - 1293g

L - 140mm

H - 85mm

W - 85mm

Barcode



ATE1335

Vehicle Applications

HYUNDAI i20 (GB,IB,PB,PBT) 1.2; 2014-

Fr. Position Rr.



CALL NOW TO ORDER YOUR STOCK !!!

(011) 898 1800

Picture(s) of vehicle(s) that this part is suitable for:



"Single Minded about YOUR Safety"